

# PhoenixMetalProducts

## Microscope Slide Storage Cabinets Price List

Updated 1/1/2019



**Call us at (800) 358-6008**

[www.slidestoragecabinets.com](http://www.slidestoragecabinets.com)

Made in the USA

## Microscope Slide Storage Cabinets

Updated 1/1/2019

For the storage of 1" x 3" microscope slides.

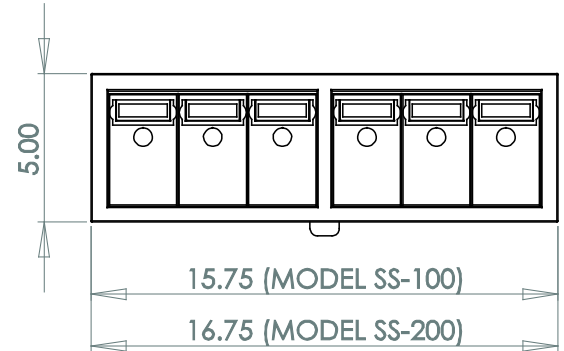
### Features:

- 5,000 slide capacity per cabinet
- Stackable up to 15 cabinets high
- Cabinets securely interlock to stack up without tools
- 6 removable drawers
- Drawers have a center divider to hold two rows of slides.
- Cardholders on front for easy labeling.
- Ships fully assembled.
- Neutral tan / putty color.
- Model SS-100 is compatible (stackable) with 15 3/4" cabinets from most other brands.
- Special paint does not give off fumes that could damage slides.

### Dimensions:

SS-100: 15 3/4" wide, 5" high, 18 3/4" deep

SS-200: 16 3/4" wide, 5" high, 18 3/4" deep



## Pricing and Volume Discounts

### Cabinets: Models SS-100 and SS-200

Order Quantity	1 - 15	16 - 45	46 - 75	76 +
Discount	-	3%	6%	10%
Price	\$129.00	\$125.13	\$121.26	\$116.10

### Base Units: Models SB-100 and SB-200

Order Quantity	1	2 - 4	5 - 9	10 +
Discount	-	3%	6%	10%
Price	\$50.99	\$49.46	\$47.93	\$45.89



One cabinet and base shown. Cabinets are modular and interlock to form tall cabinet stacks for high density storage.

### Ordering information:

Packed individually  
No minimums required  
Prices are FOB Factory (Freeport, NY)  
Prices subject to change without notice

### Accessories:

Memo marker cards 100/pack: \$5.00  
Rubber stopper block (holds slides upright in partially filled drawers) 12/pack: \$10.00

Proudly made in the USA

## Configuration Options for Slide Cabinets

The cabinets are a modular system and can be stacked and arranged in any configuration to suit your space and storage needs.



Cabinets can be stacked up to 15 levels high, for a maximum of 75,000 slides per stack!

Buy only the storage that you need and add additional levels later.



Drawers are removable and interchangeable.

This permits the easy transfer of drawers from the pathologist's workstation to a separate archiving area as the drawers are filled.

Our cabinets are found in the largest labs in the country, and in the smallest independent doctors' offices. The flexible nature of our modular system and the ability to store large quantities of slides in a minimum amount of space makes our cabinets the preferred solution for storing slides.

## Frequently Asked Questions

### **What is the difference between the SS-100 and SS-200 cabinets?**

While both models have the same price and storage capacity, there is a difference: The SS-100 is the traditional design which has been around for decades. It is compatible (stackable) with similar looking cabinets from most other brands. The SS-200 is a newer design which makes it easier to insert and retrieve slides. The SS-200 cabinet is 1" wider overall which provides extra room to the sides of each row of slides, allowing the slides to be flipped back and forth more easily and decreasing the chances of slide breakage. Users generally prefer the SS-200 cabinets, but laboratories may opt for the SS-100 series for compatibility with existing stacks.

### **What is the base unit?**

The base unit is the item which contains the "feet" that starts off each stack of cabinets.

### **Do you really need a base unit with the cabinets?**

Yes you do. The cabinets interlock to form stacks through the use of metal tabs which connect one cabinet to the next. These metal tabs stick out the bottom of each cabinet and lock into slots in the cabinet below. Without a base unit, the first (bottom) cabinet would not sit flat because of the tabs sticking out of its bottom. The base unit also keeps the cabinet and slides several inches off of the floor to protect them from dirt and dust.

### **How high can you stack the cabinets?**

A: You can stack the cabinets up to 15 high. It is common to stack the cabinets 12 high or more, however you may need a stepstool to reach the highest levels above that height.

### **What are the cabinets made of?**

The cabinets are made of galvanized steel (rust resistant steel) and are painted with powder coat paint. Powder coating is a special painting process which is extremely durable and which has no VOCs (no fumes). In total, the cabinets are designed for an extremely long service life.

### **Where are your products made?**

All of our products are made in our factory in New York.

### **Do you also make tissue block cabinets?**

Yes we do. Call us for more information or You can view more information at [paraffinblockstorage.com](http://paraffinblockstorage.com).